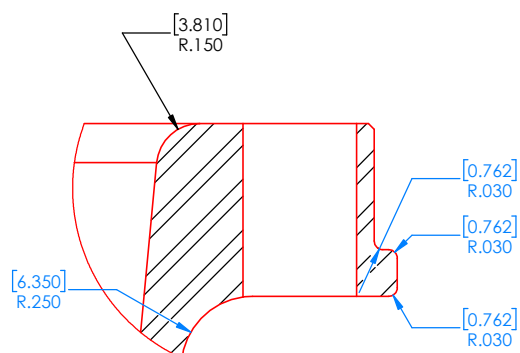
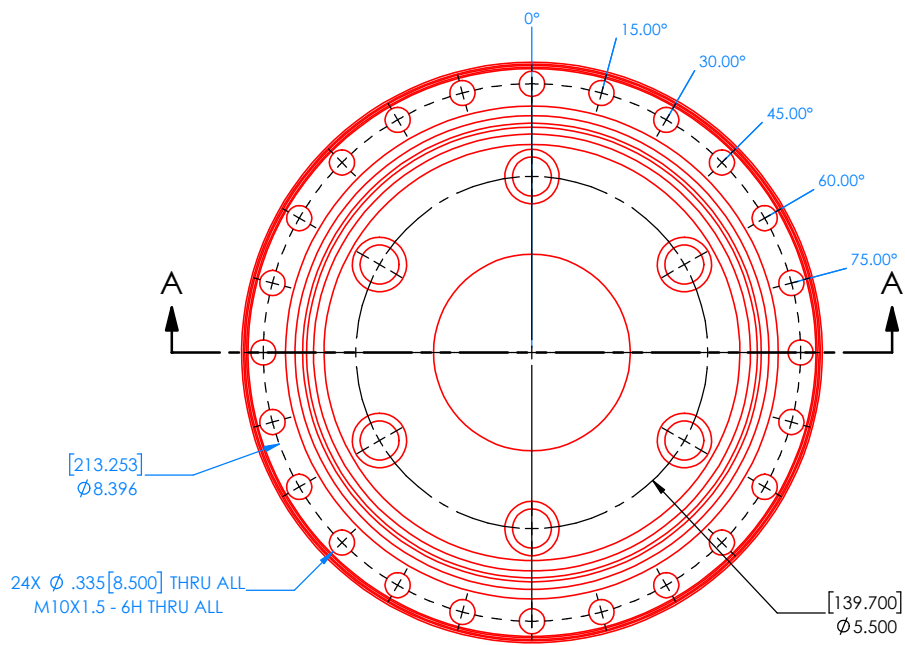
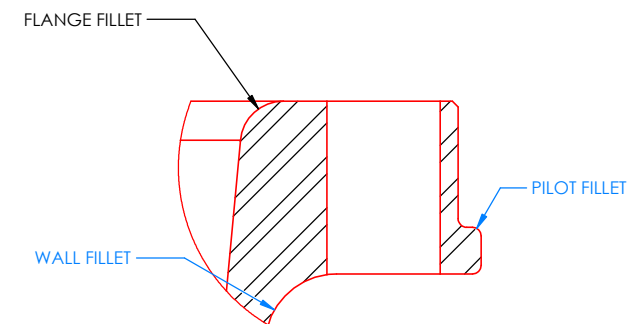
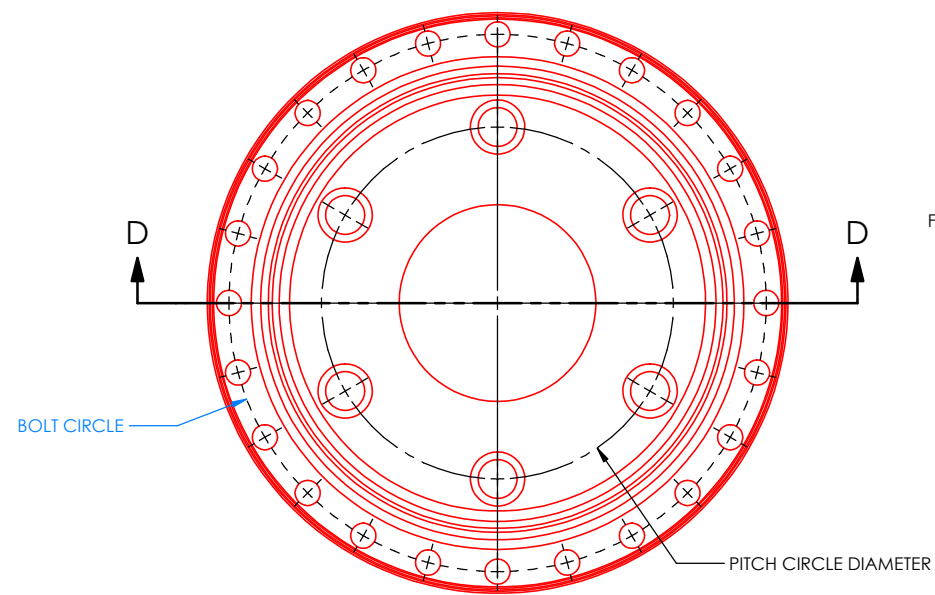


LW12.8-60 Hub Adapter Design Guide

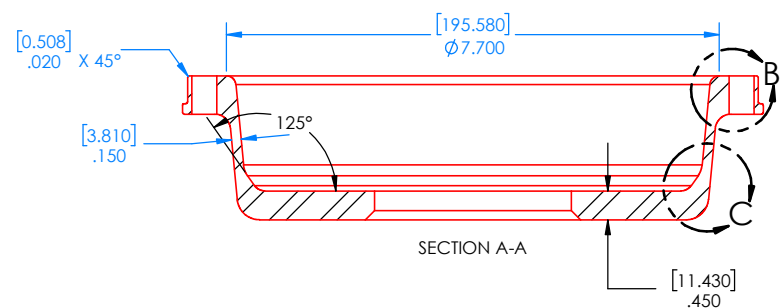
Note: Blue dimensions are CRITICAL and CANNOT change. Black dimensions can be changed.



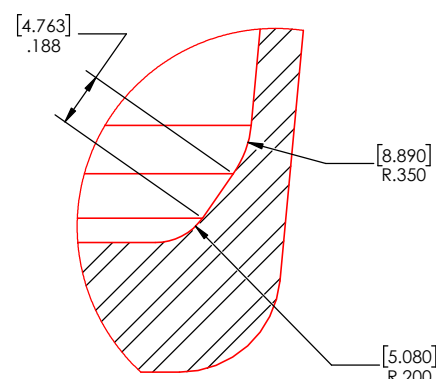
DETAIL B
SCALE 3 : 1



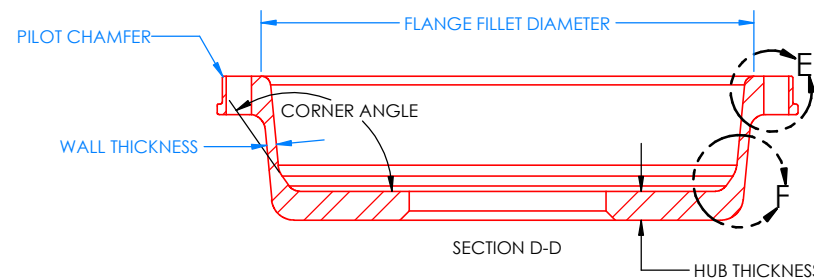
DETAIL E
SCALE 3 : 1



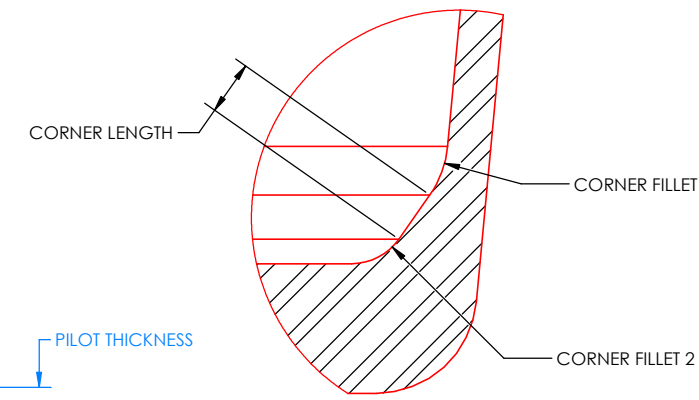
SECTION A-A



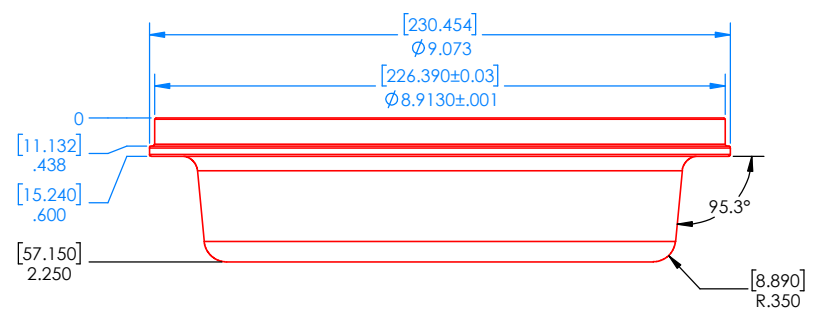
DETAIL C
SCALE 3 : 1



SECTION D-D



DETAIL F
SCALE 3 : 1



It is essential that the adapters match the recommended guidelines. This will ensure the system can withstand the rated loads and provide the most accurate results. The critical features are shown in blue. Customers may change all other geometry. Examples of permitted changes are shown above.

The "HUB THICKNESS" can vary but should not be less than 0.450 in (11.430 mm).

Detail C shows geometry that reduces the material stresses to increase the adapter fatigue life. The "CORNER ANGLE" should be between 115-145 degrees.

Michigan Scientific Corporation (MSC) machines hub adapters from 17-4 H1100 stainless steel. This material provides good insulation from brake heat. Alloy steels can be used but they will conduct brake heat more than the stainless steel. The material should have a yield strength of at least 890 MPa (130 ksi) and a hardness between 32 and 45 HRC.

MSC verifies all rim and hub adapter assemblies using FEA to simulate the SAE J328 wheel durability standard. This should be done with all adapter systems to verify the load ratings and fatigue life of the adapters. A LW12.8-60 transducer has a SAE J328 static load rating of 2700 lb (1225 kg). This should never be exceeded.

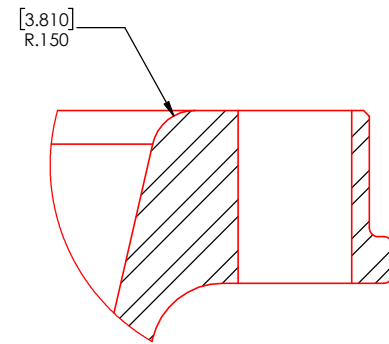
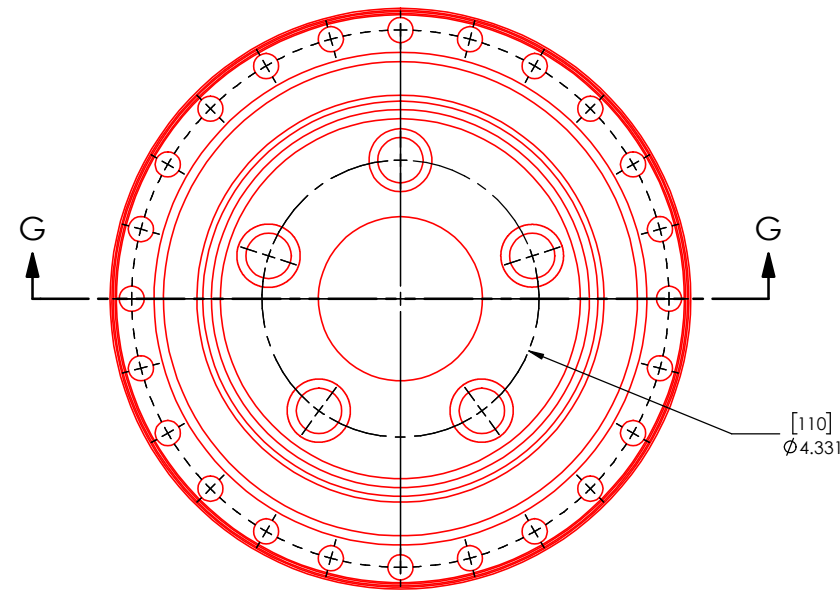
MSC can check your adapter designs at no cost. Contact MSC online at michsci.com/contact-us or via phone at 1-231-547-5511.

Details and specifications provided in this document are purely for informational purposes and are subject to alterations. No liability is accepted for errors or omissions. ©2020 Michigan Scientific Corporation

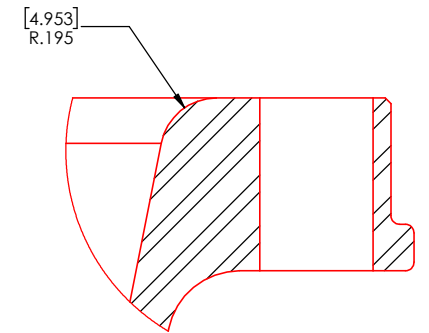
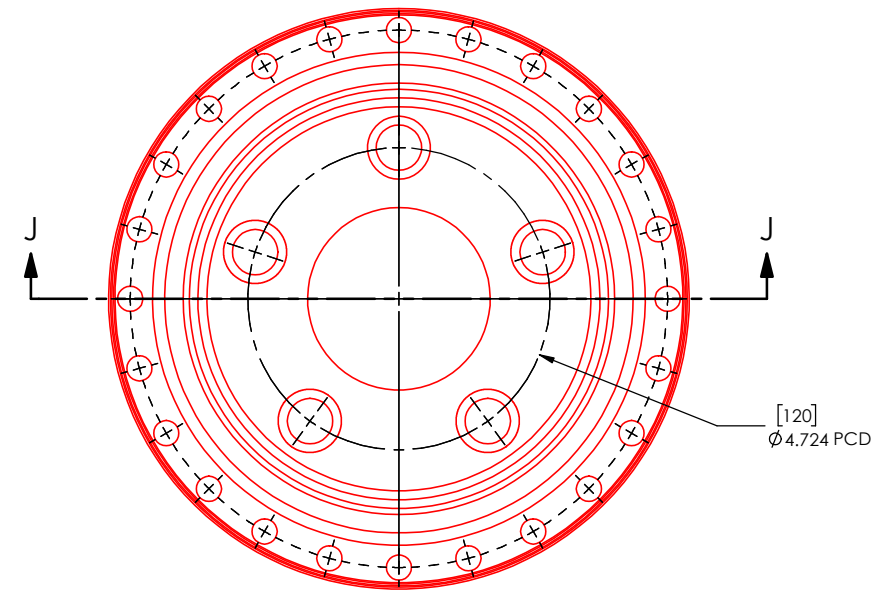
UNLESS OTHERWISE SPECIFIED: DIMENSIONS ARE IN INCHES (mm)		DATE	NAME	MICHIGAN SCIENTIFIC CORPORATION 8500 ANCE ROAD CHARLEVOIX, MICHIGAN 49720 www.michsci.com
TOLERANCES: XXX ±.010 XXX ±.005 XX ±.01 FRACTIONAL ± ANGULAR: MACH ± BEND ±	DRAWN	3/20/2020	JPS/ley	
	CHECKED	3/20/2020	SKRHUDY	
	ENG APPR	03/13/20	SKRHUDY	PRODUCT LINE LW12.8-60
	MFG APPR	03/13/20	SKRHUDY	CUSTOMER CODE PROJECT CODE
WEIGHT	PROPERTY AND CONFIDENTIAL THE INFORMATION CONTAINED IN THIS DRAWING IS THE SOLE PROPERTY OF MICHIGAN SCIENTIFIC CORPORATION. ANY REPRODUCTION IN PART OR AS A WHOLE WITHOUT THE WRITTEN PERMISSION OF MICHIGAN SCIENTIFIC CORPORATION IS PROHIBITED.			DESCRIPTION LW12.8-60 Hub Adapter Design Guide
MATERIAL 17-4 H1100				SIZE DWG. NO. LW12.8-60 Hub Adapter Design Guide
FINISH				REV B
SCALE: 2:3				SHEET 1 OF 2

LW12.8-60 Hub Adapter Design Guide

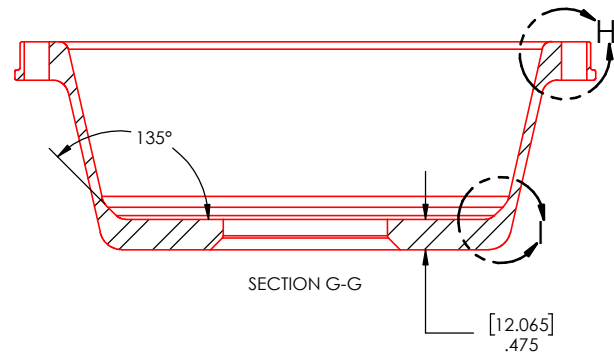
Note: Blue dimensions are CRITICAL and CANNOT change. Black dimensions can be changed.



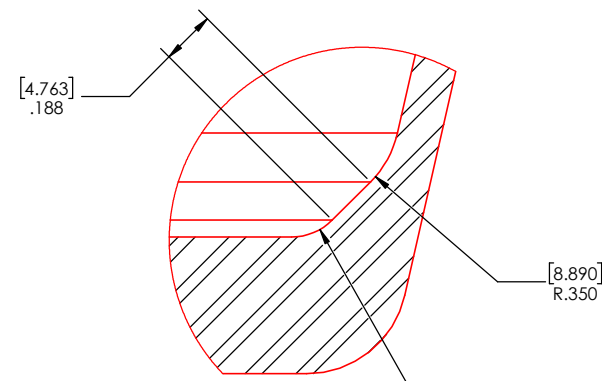
DETAIL H
SCALE 3:1



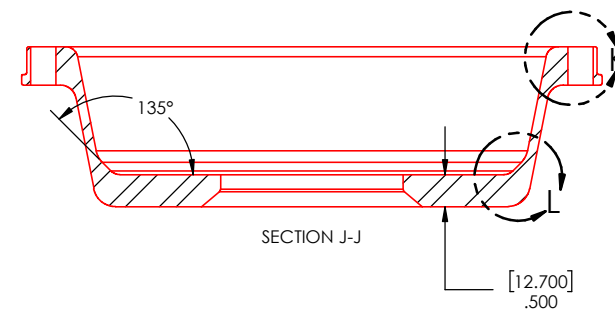
DETAIL K
SCALE 3:1



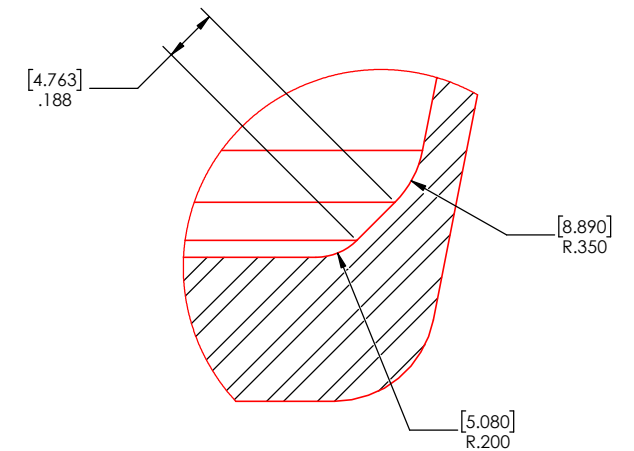
SECTION G-G



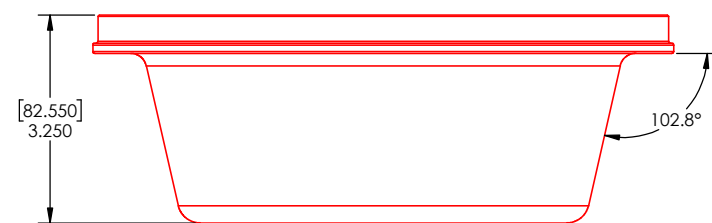
DETAIL I
SCALE 3:1



SECTION J-J



DETAIL L
SCALE 3:1



It is essential that the adapters match the recommended guidelines. This will ensure the system can withstand the rated loads and provide the most accurate results. The critical features are shown in blue. Customers may change all other geometry. Examples of permitted changes are shown above.

Details and specifications provided in this document are purely for informational purposes and are subject to alterations. No liability is accepted for errors or omissions. ©2020 Michigan Scientific Corporation

UNLESS OTHERWISE SPECIFIED:		DATE	NAME	MICHIGAN SCIENTIFIC CORPORATION 8500 ANCE ROAD CHARLEVOIX, MICHIGAN 49720 www.michsci.com	
TOLERANCES:	DRAWN	3/20/2020	JPS/ley	PRODUCT LINE	LW12.8-60
XXX ±.0010	CHECKED	3/20/2020	SKRHUDY	CUSTOMER CODE	PROJECT CODE
XX ±.005	ENG APPR	03/13/20	SKRHUDY	DESCRIPTION	LW12.8-60 Hub Adapter Design Guide
X ±.01	MFG APPR	03/13/20	SKRHUDY	SIZE	DWG. NO. LW12.8-60 Hub Adapter Design Guide
FRACTIONAL ±	REVISION			SCALE	2:3
ANGULAR: MATCH ±					
REVISION					
WEIGHT	PROPERTY AND CONFIDENTIAL		THE INFORMATION CONTAINED IN THIS DRAWING IS THE SOLE PROPERTY OF MICHIGAN SCIENTIFIC CORPORATION. ANY REPRODUCTION IN PART OR AS A WHOLE WITHOUT THE WRITTEN PERMISSION OF MICHIGAN SCIENTIFIC CORPORATION IS PROHIBITED.		
MATERIAL	17-4 H1100			REV	B
FINISH				SHEET	2 OF 2